

09225VA (3610VL)

DC Axial Fan

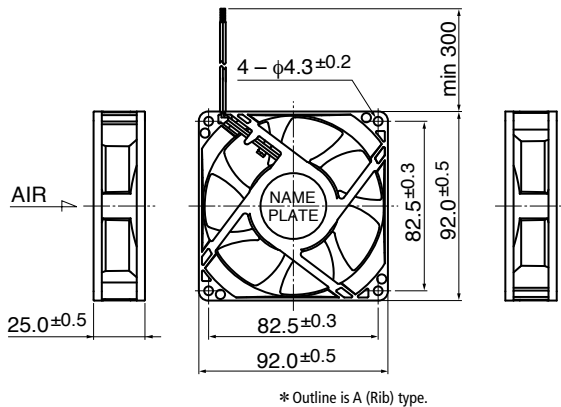
92[□]X25^L



General Specifications

- Motor Protection : Auto Restart / Polarity Protection
- Insulation Resistance : 10MΩ or over with a DC500V Megger
- Dielectric Withstand Voltage : AC700V 1s
- Allowable Ambient Temperature Range : - 10°C ~ + 70°C (Operating)
- 40°C ~ + 70°C (Storage)
non-condensing environment

Outline

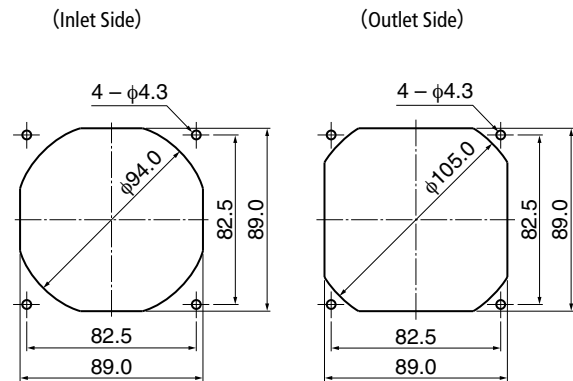


Expected Life

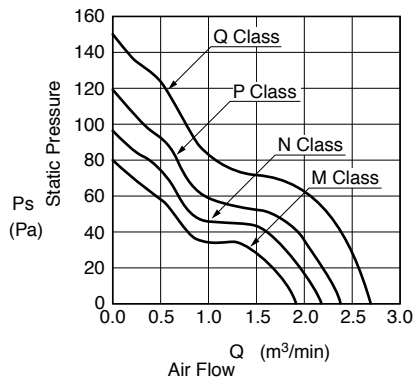
※ Failure Rate: 10% (L10 Life)

60°C 40,000 (Hours)

Panel Out-cuts



Characteristic Curves



Material

- Casing : Plastic (Black) UL94V-0
- Impeller : Plastic (Black) UL94V-0
- Bearing : Ball Bearing
- Lead Wire : UL3385 AWG26 + : Red, - : Black

Customize service for IP compatible type and Oil-proof type is available for this item. Please contact to our sales representative for more detail.

Specifications

| Model** | Product Number | Rating Voltage (V) | Operating Voltage (V) | Current (A)*1 | Input Power (W)*1 | Speed (min-1)*1 | Max Air Flow (m³3/min)*1 | (CFM)*1 | Max Static Pressure (Pa) | (In H2O)*1 | Noise (dB)*1 | Mass (g) |
|-----------------|----------------|--------------------|-----------------------|---------------|-------------------|-----------------|--------------------------|---------|--------------------------|------------|--------------|----------|
| 09225VA-12M-AA- | 00 | 12 | 7.0 ~ 13.8 | 0.30 | 3.60 | 4000 | 1.93 | 68.1 | 80.0 | 0.32 | 42.0 | 135 |
| 09225VA-12N-AA- | 00 | 12 | 7.0 ~ 13.8 | 0.40 | 4.80 | 4500 | 2.18 | 77.0 | 98.0 | 0.39 | 45.0 | |
| 09225VA-12P-AA- | 00 | 12 | 7.0 ~ 13.8 | 0.52 | 6.24 | 5000 | 2.43 | 85.8 | 120.0 | 0.48 | 48.0 | |
| 09225VA-12Q-AA- | 00 | 12 | 7.0 ~ 13.8 | 0.72 | 8.64 | 5600 | 2.73 | 96.4 | 150.0 | 0.60 | 51.0 | |
| 09225VA-24K-AA- | 00 | 24 | 14.0 ~ 27.6 | 0.11 | 2.64 | 3200 | 1.53 | 54.0 | 50.0 | 0.20 | 35.5 | |
| 09225VA-24L-AA- | 00 | 24 | 14.0 ~ 27.6 | 0.14 | 2.64 | 3600 | 1.73 | 61.1 | 65.0 | 0.26 | 38.5 | |
| 09225VA-24M-AA- | 00 | 24 | 14.0 ~ 27.6 | 0.17 | 4.08 | 4000 | 1.93 | 68.1 | 80.0 | 0.32 | 42.0 | |
| 09225VA-24N-AA- | 00 | 24 | 14.0 ~ 27.6 | 0.22 | 5.28 | 4500 | 2.18 | 77.0 | 98.0 | 0.39 | 45.0 | |
| 09225VA-24P-AA- | 00 | 24 | 14.0 ~ 27.6 | 0.28 | 6.72 | 5000 | 2.43 | 85.8 | 120.0 | 0.48 | 48.0 | |
| 09225VA-24Q-AA- | 00 | 24 | 14.0 ~ 27.6 | 0.38 | 9.12 | 5600 | 2.73 | 96.4 | 150.0 | 0.60 | 51.0 | |

Rotation: Clockwise as seen from the label side
Airflow Outlet: Label side

**Flange casing available

*1: Average Values in Free Air

General Specifications

Motor Protection:

Auto Restart/Polarity Protection

Insulation Resistance:

10M Ω or over with a DC500V Megger

Dielectric Withstand Voltage: AC 700V 1s

Allowable Ambient Temperature Range:

-10°C ~ +70°C (Operating)

-40°C ~ +70°C (Storage)

IP Code: IP69K

Expected Life

25°C 100,000 Hours (L10)

Material

Casing : Plastic (Black) UL94V-0

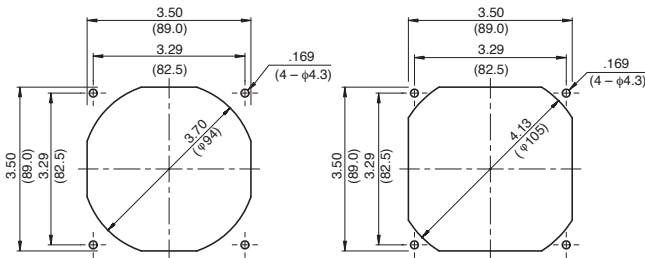
Impeller : Plastic (Black) UL94V-0

Bearing : Ball Bearing

Lead Wire : UL3385, AWG26, +Red, -Black

Panel Cut-Outs

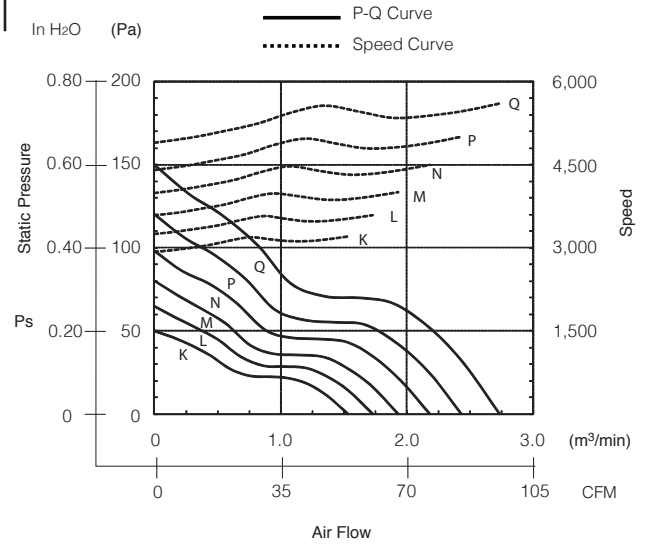
Units: $\frac{\text{inch}}{\text{mm}}$



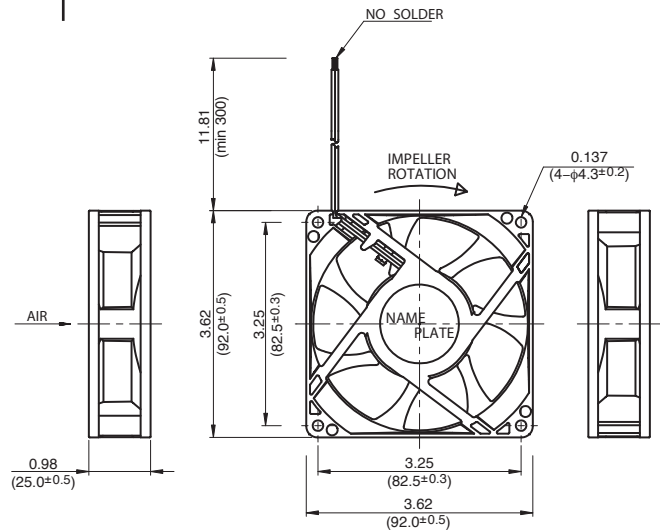
INLET SIDE

OUTLET SIDE

Characteristic Curves



Outline



Specifications

| MODEL | Rated Voltage | Operating Voltage | Current | Input Power | Speed | Max. Air Flow | | Max. Static Pressure | | Noise | Mass |
|-------------------|---------------|-------------------|-------------------|-------------------|------------------------------------|-------------------|-------------------------------------|----------------------|--------------------|--------------------|------|
| | (V) | (V) | (A) ^{*1} | (W) ^{*1} | (min ⁻¹) ^{*1} | CFM ^{*1} | (m ³ /min) ^{*1} | in H ₂ O | (Pa) ^{*1} | (dB) ^{*1} | (g) |
| 09225VA-12K-CA-00 | 12 | 7.0 ~ 13.8 | 0.18 | 2.16 | 3200 | 54.03 | 1.53 | .20 | 50.0 | 35.5 | 150 |
| 09225VA-12L-CA-00 | 12 | 7.0 ~ 13.8 | 0.24 | 2.88 | 3600 | 61.09 | 1.73 | .26 | 65.0 | 38.5 | 150 |
| 09225VA-12M-CA-00 | 12 | 7.0 ~ 13.8 | 0.30 | 3.60 | 4000 | 68.16 | 1.93 | .32 | 80.0 | 42.0 | 150 |
| 09225VA-12N-CA-00 | 12 | 7.0 ~ 13.8 | 0.40 | 4.80 | 4500 | 76.99 | 2.18 | .39 | 98.0 | 45.0 | 150 |
| 09225VA-12P-CA-00 | 12 | 7.0 ~ 13.8 | 0.52 | 6.24 | 5000 | 85.81 | 2.43 | .48 | 120.0 | 48.0 | 150 |
| 09225VA-12Q-CA-00 | 12 | 7.0 ~ 13.8 | 0.72 | 8.64 | 5600 | 96.41 | 2.73 | .60 | 150.0 | 51.0 | 150 |

Rotation: Clockwise

Airflow Outlet: Air Out Over Struts

*1: Average Values in Free Air

Note: PWM/Locked Rotor/Tach Available

Specifications

| MODEL | Rated Voltage | Operating Voltage | Current | Input Power | Speed | Max. Air Flow | | Max. Static Pressure | | Noise | Mass |
|-------------------|---------------|-------------------|-------------------|-------------------|------------------------------------|-------------------|-------------------------------------|----------------------|--------------------|--------------------|------|
| | (V) | (V) | (A) ^{*1} | (W) ^{*1} | (min ⁻¹) ^{*1} | CFM ^{*1} | (m ³ /min) ^{*1} | in H ₂ O | (Pa) ^{*1} | (dB) ^{*1} | (g) |
| 09225VA-24K-CA-00 | 24 | 14.0 ~ 27.6 | 0.11 | 2.64 | 3200 | 54.03 | 1.53 | .20 | 50.0 | 35.5 | 150 |
| 09225VA-24L-CA-00 | 24 | 14.0 ~ 27.6 | 0.14 | 3.36 | 3600 | 61.09 | 1.73 | .26 | 65.0 | 38.5 | 150 |
| 09225VA-24M-CA-00 | 24 | 14.0 ~ 27.6 | 0.17 | 4.08 | 4000 | 68.16 | 1.93 | .32 | 80.0 | 42.0 | 150 |
| 09225VA-24N-CA-00 | 24 | 14.0 ~ 27.6 | 0.22 | 5.28 | 4500 | 76.99 | 2.18 | .39 | 98.0 | 45.0 | 150 |
| 09225VA-24P-CA-00 | 24 | 14.0 ~ 27.6 | 0.28 | 6.72 | 5000 | 85.81 | 2.43 | .48 | 120.0 | 48.0 | 150 |
| 09225VA-24Q-CA-00 | 24 | 14.0 ~ 27.6 | 0.38 | 9.12 | 5600 | 96.41 | 2.73 | .60 | 150.0 | 51.0 | 150 |

Rotation: Clockwise

Airflow Outlet: Air Out Over Struts

*1: Average Values in Free Air

Note: PWM/Locked Rotor/Tach Available